

15" Northland Built-in Undercounter Wine Cooler

Store 20 bottles of wine in a compact size with the 15" Northland Built-in Undercounter Wine Cooler.



Primary Features

- Forced air cooling technology rapidly cools and ensures precise temperature stability
- Electronic controls allow you to select a temperature setting between 40°F to 65°F
- Daylight white lighting illuminates the rich midnight black interior
- Tinted UV-resistant dual pane glass
- Decorative stainless steel handle
- Right hinge only, non-reversible

Product Dimensions	14 7/8" w x 21 1/2" d x 33 3/4" h
Capacity	20 Bottles / 2.7 cu. ft.
Finish Options	Stainless Steel
Interior Color	Black
Interior Lighting	White Incandescent
Handle	Slim Designer Handle
Toe Grill Finish	Black
Hinge Type	Classic Hinge
Shelving	Black Steel Cantilever
Controls	Electronic
Temperature Range	40°F to 65°F
Door Lock	No
Electrical Requirements	120V / 60 Hz / 15A
Power Cord	6'
Shipping Weight	125 lbs
Warranty	1-year parts and labor warranty, 5-year sealed system parts warranty

Ordering Details

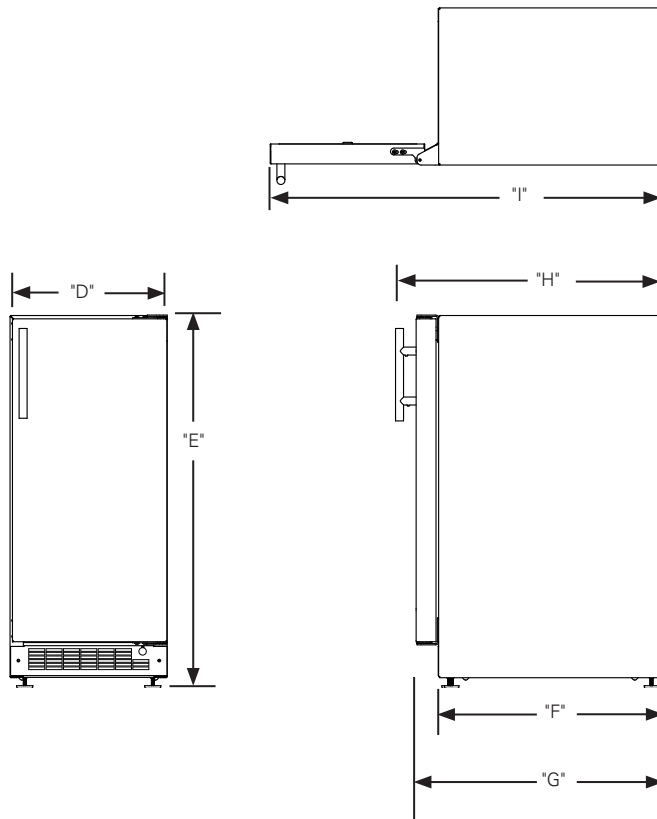
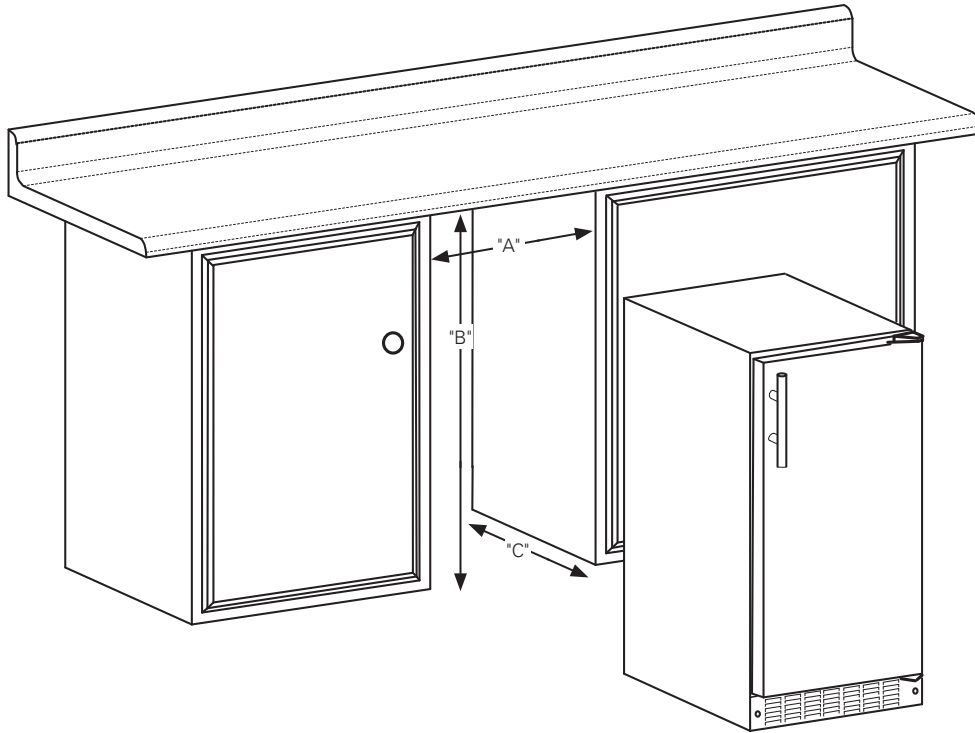
Product Description	Model Number
Stainless Steel Frame Door, UV Protected Glass, Right Hinge	NL15WSG0RS

Finish Options



Stainless Steel





Rough-In Dimensions

A. Rough-In Width	15"
B. Rough-In Height	34" to 35"
C. Rough-In Depth	24"

Product Dimensions

D. Width	14 7/8"
E. Height	33 3/4" to 34 3/4"
F. Depth	21 1/2"
G. Depth to Front of Door	23 23/32"
H. Depth to Handle	25 21/32"
I. Depth with Door at 90°	37 13/32"

For comprehensive installation instructions, please visit northlandamerica.com to access the owner's guide.